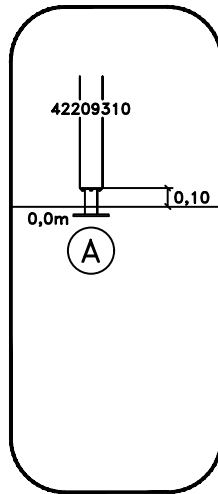


**260329**  
**420692**  
**420693**  
**422212**  
**423212**  
**424212**  
**426121**  
**426162**  
**426200**  
**448000**  
**42008010**  
**42060310**  
**42070711**  
**42071810**  
**42072610**  
**42074114**  
**42074410**  
**42077010**  
**42077120**  
**42077130**  
**42271810**  
**42272610**  
**42277010**

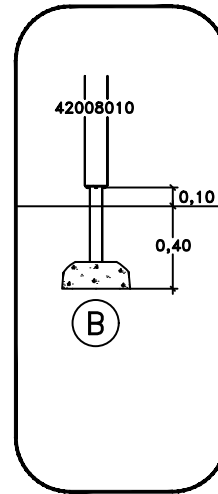
**42277120**  
**42277130**  
**42471810**  
**42472610**  
**42477010**  
**42477120**  
**42477130**  
**MA420688**  
**MASW37573**  
**MASW39726**  
**MASW39775**  
**MASW39776**  
**MASW42099**

42008010



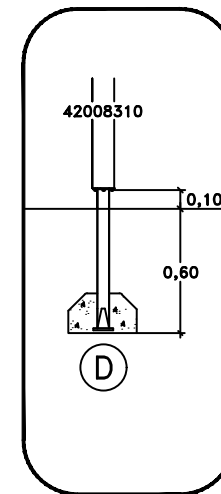
**OM**  
**Above Ground**

8068803  
8068810  
8068857



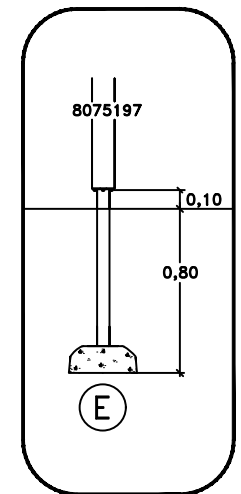
**SF**  
**Sunken Foundation**

8061751  
8068813  
8068858



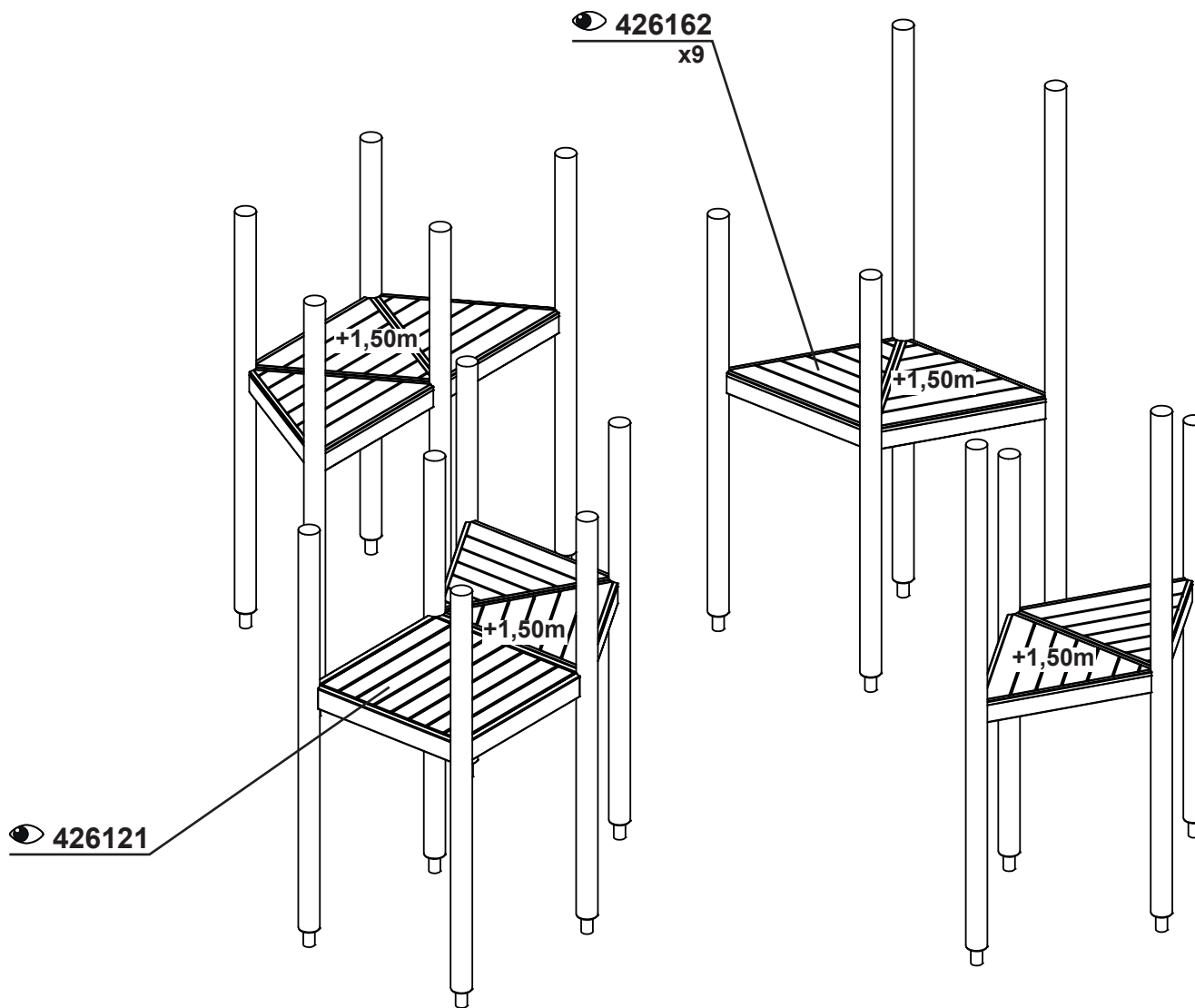
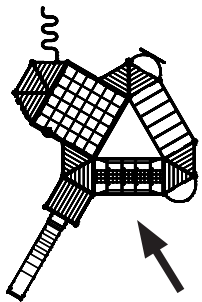
**CC**  
**Cast In Place**

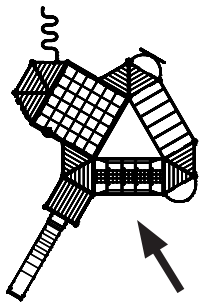
8063255  
8068855



**BM**  
**Loosefill**

8068805  
8068808  
8068853



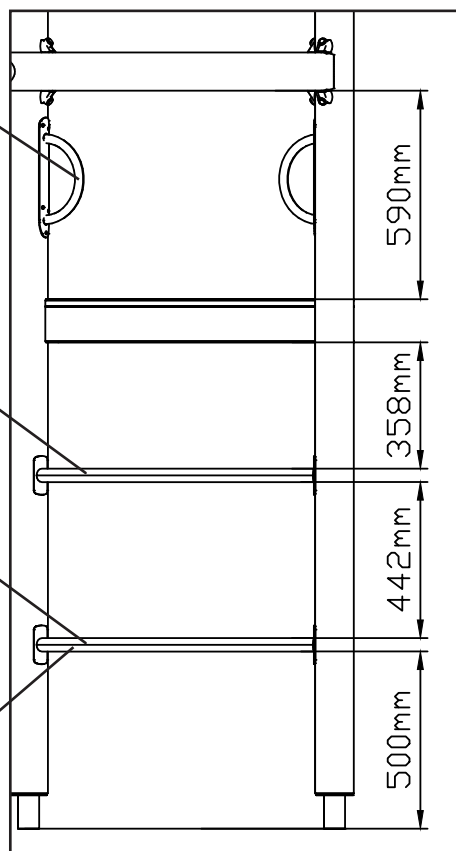


● MASW39776  
x6

+1,02  
x3

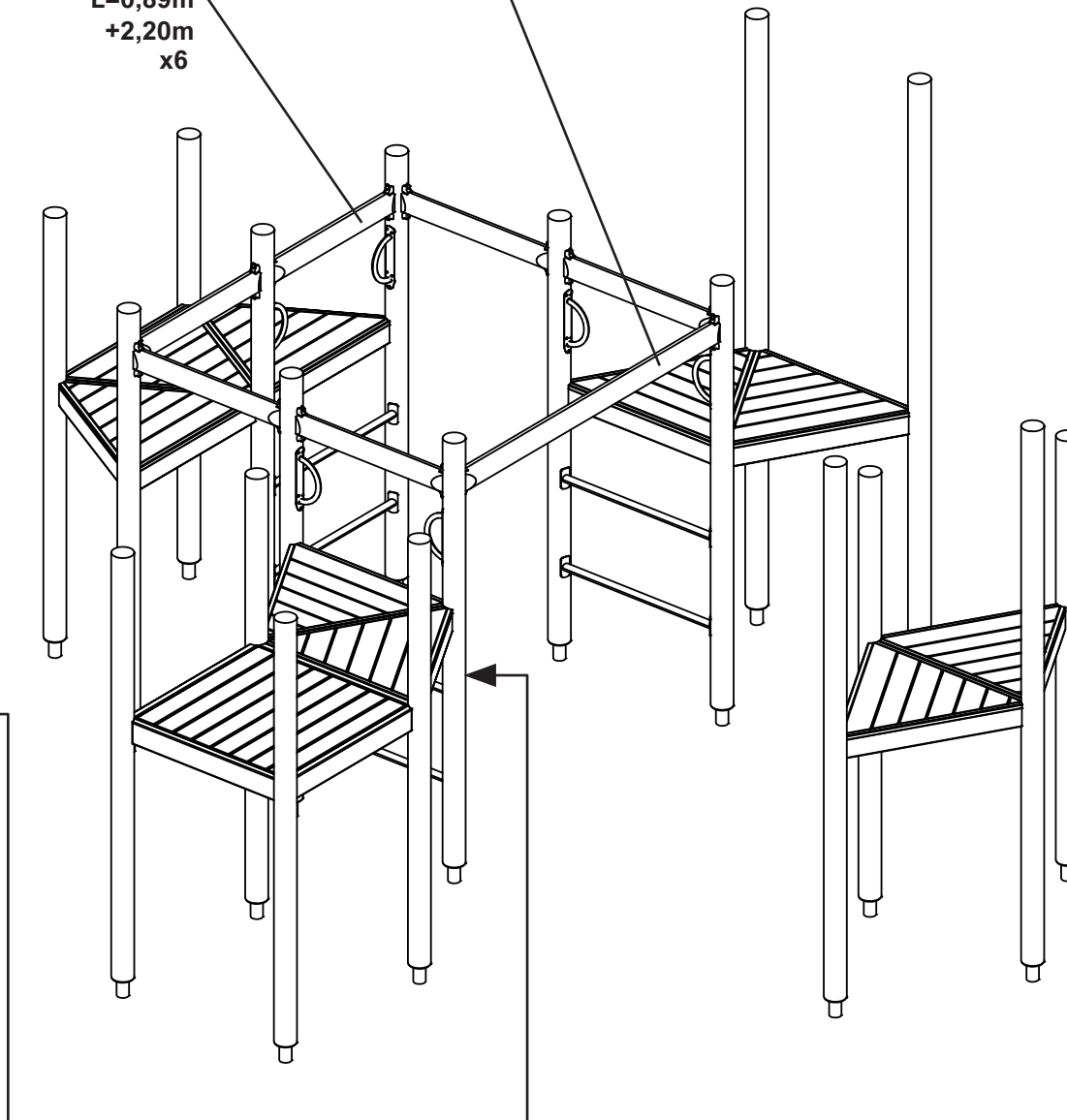
+0,54  
x3

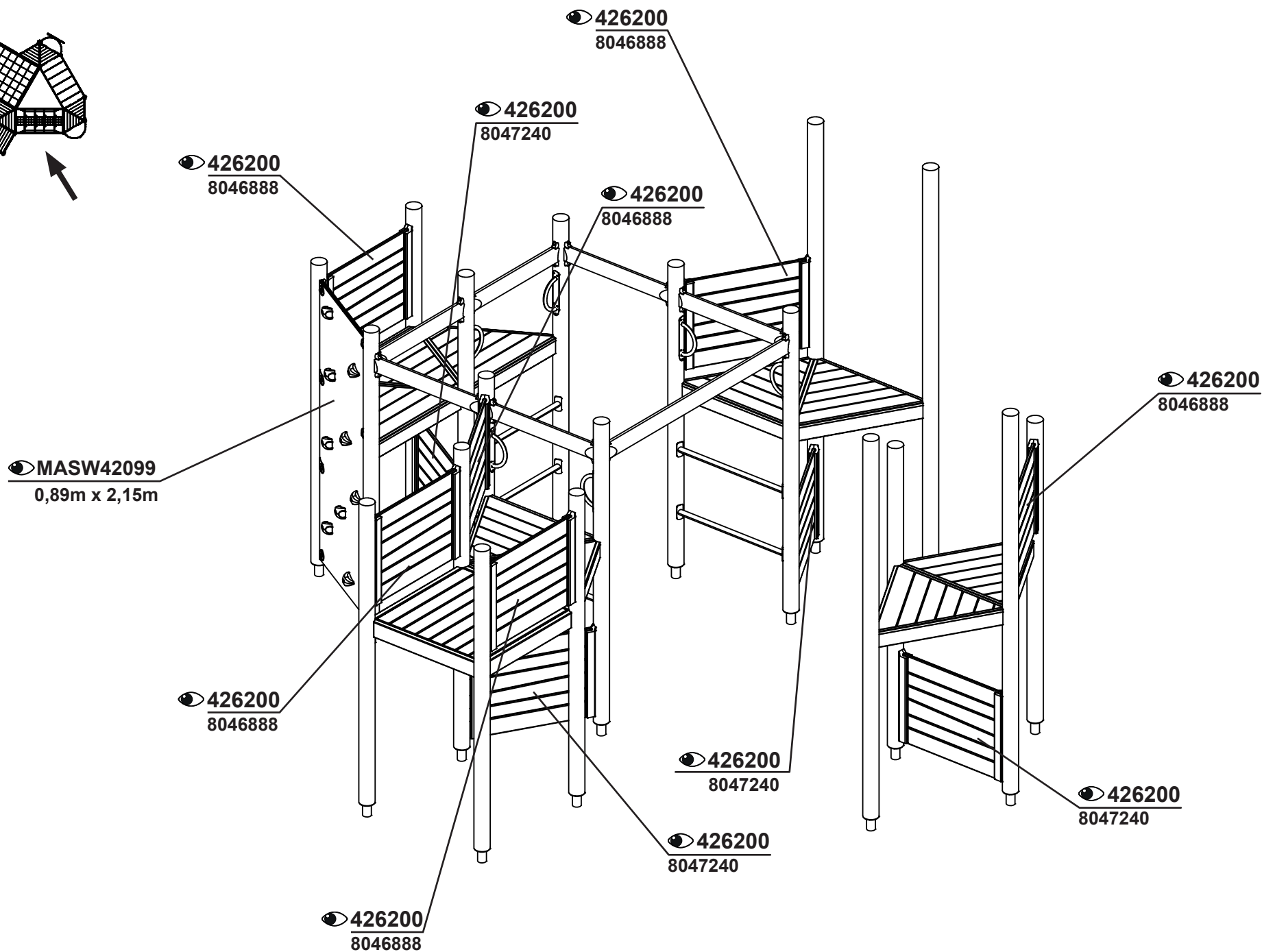
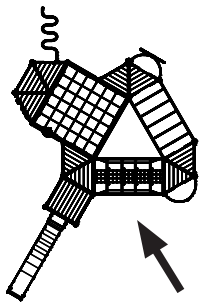
● MASW37573  
x6

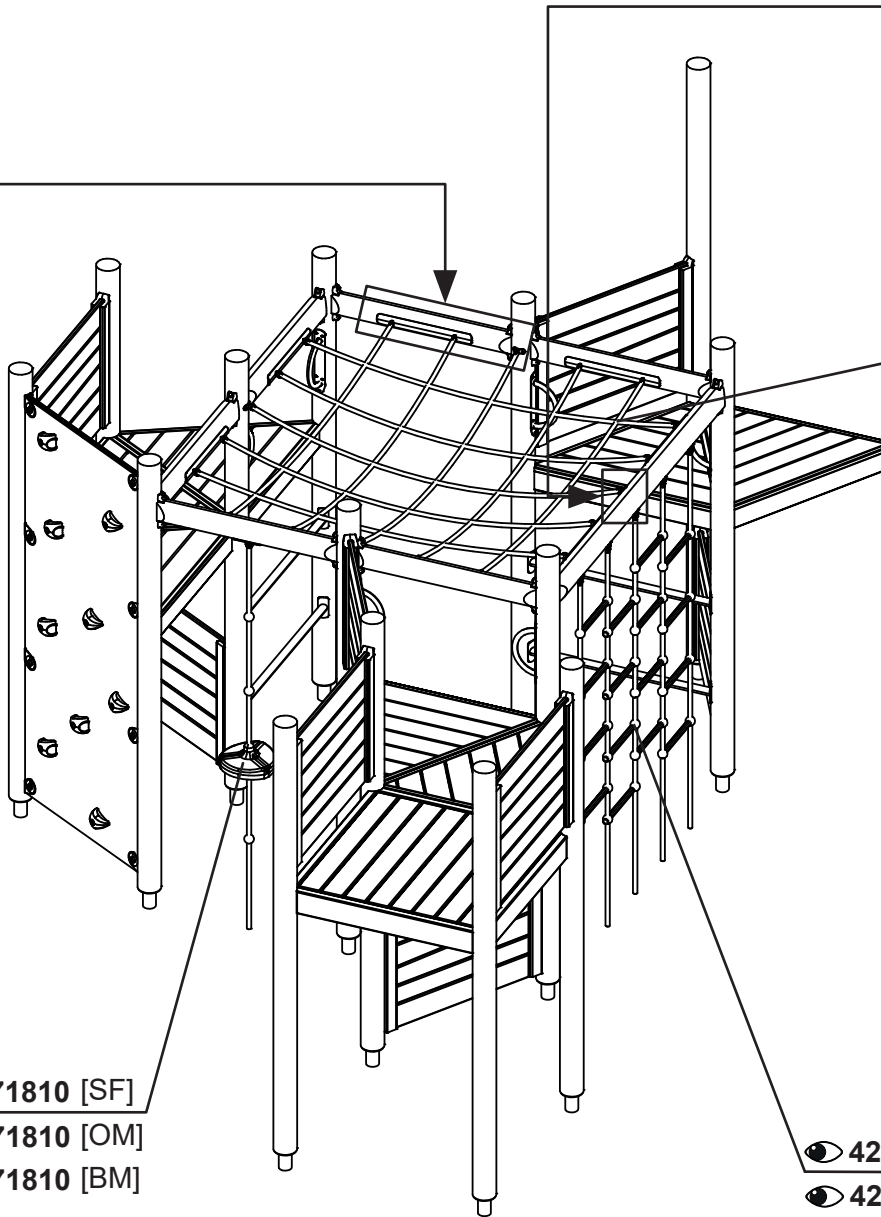
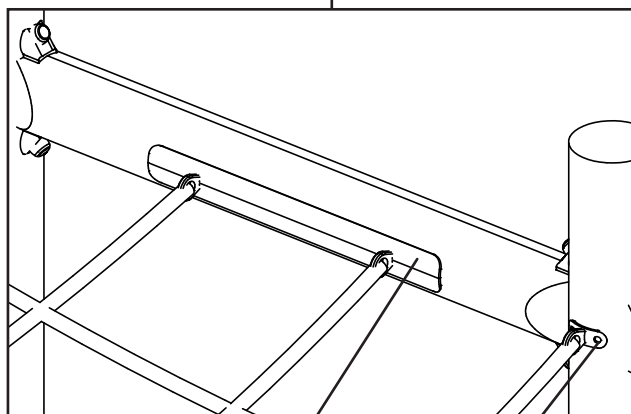
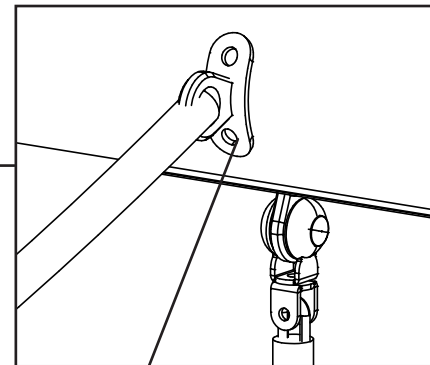
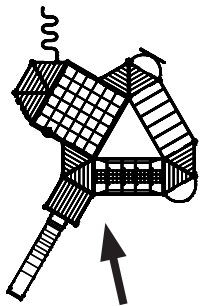


● 42060310  
L=0,89m  
+2,20m  
x6

● 42060310  
L=1,89m  
+2,20m







420693

42070711

MA420688

x8

420692

x3

42071810 [SF]

42271810 [OM]

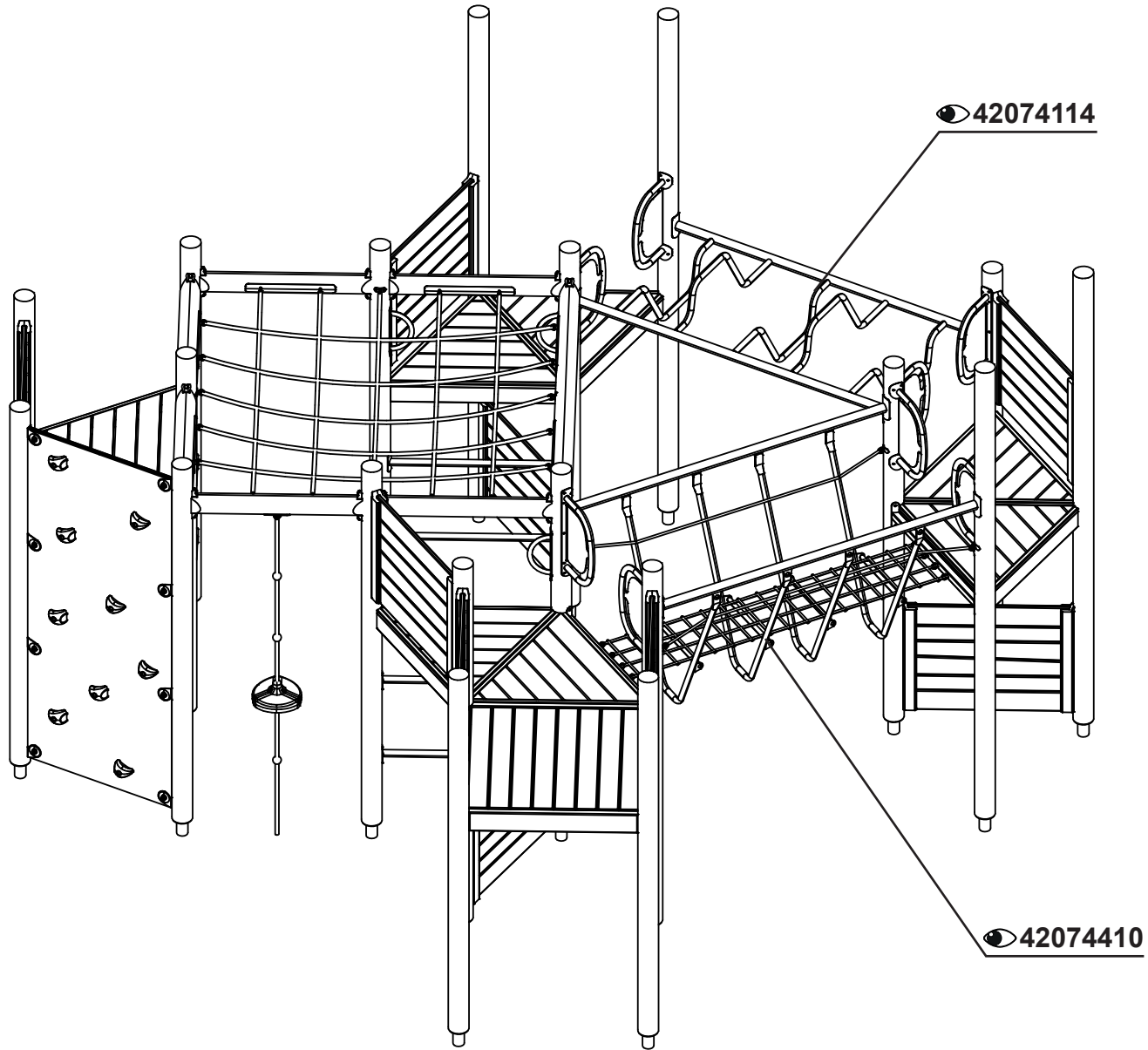
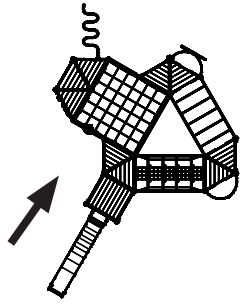
42471810 [BM]

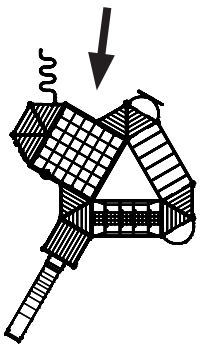
42072610 [SF]

42272610 [OM]

42472610 [BM]

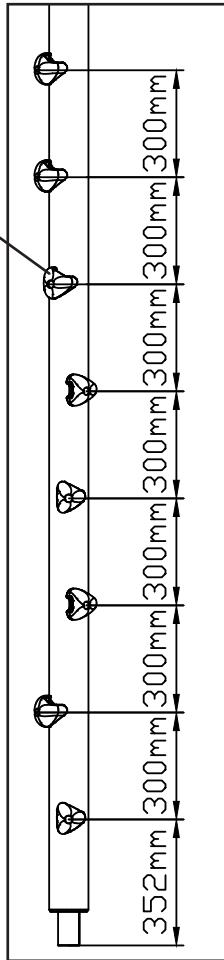






● MASW39726

x8



● 42077130 [SF]

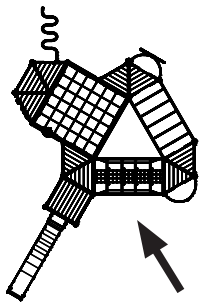
● 42277130 [OM]

● 42477130 [BM]

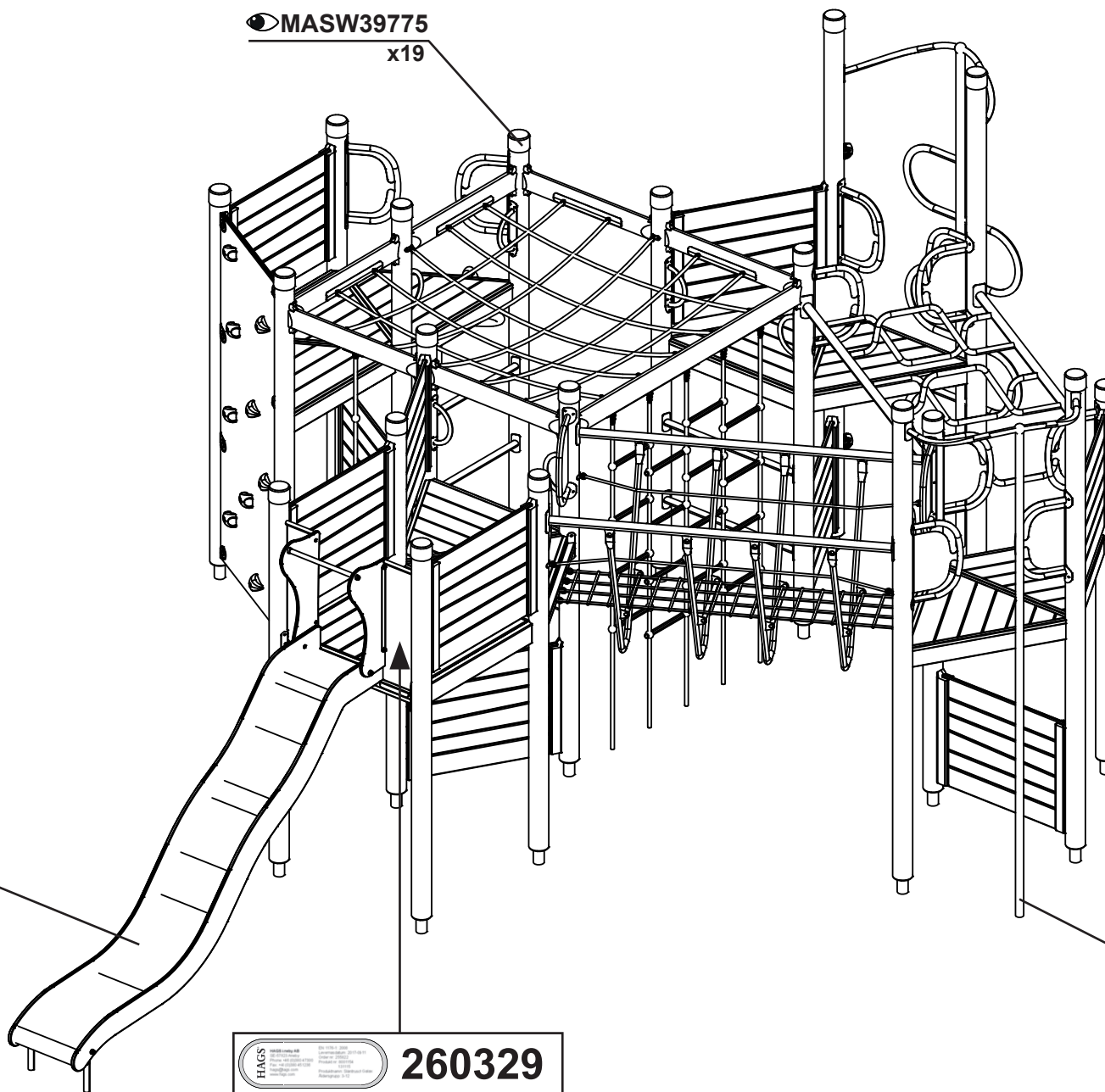
● 42077120 [SF]

● 42277120 [OM]

● 42477120 [BM]



● MASW39775  
x19



- 423212 [SF]
- 422212 [OM]
- 424212 [BM]

- 42077010 [SF]
- 42277010 [OM]
- 42477010 [BM]

